



**LED Series Information**

**Features:**

Housing and Hinged Door Frame Manufactured of Heavy Duty Die-Cast Aluminum with a Textured Architectural Bronze Powdercoat Finish over a Chromate Conversion Coating for Durability

Weatherproof Silicone Gasket Present for Moisture and Dust Proof Protection

Fixture Includes Anodized Aluminum Reflector and High Impact Heat Resistant Borosilicate Glass Lens for Optimum Light Distribution

Housing Features Threaded 1/2" Coin Plugs with Gaskets for Conduit and/or Photo Cell Installation

Fixture Wall Mounts Directly Over 4" Outlet Box

CSA Listed for Wet Locations

Custom Colors Available

**Applications:**

- Warehouse Facilities
- Shopping and Receiving Areas
- Cold Storage Facilities
- Industrial Plants
- Commercial Buildings

Accessories Sold Separately

**Options:**

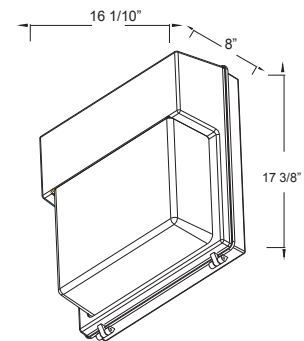
**LED Slimline Wallpack**



WPS40L



**Dimensions:**



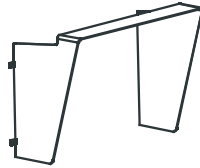
**LED Series Order Information**

Typical Ordering Number:  
WPS40L-4X15-Q-4-6-PC1

Model#	Total Watts	Ballast	Color Temp	Optics	Options
WPS40L	3X7H =3x7.5w (22.5w) * 4X7H =4x7.5w (30w)* 2X15 =2x15w (30w)* 3X15 =3x15w (45w)* 4X15 =4x15w (60w)*	Q = Quad Tap	2 = 2700k 3 = 3000k 4 = 4000k	N = None 2 = 20° 4 = 40° 6 = 60°	PC1 = 120V Photocell PC2 = 208-277V Photocell WG = Wireguard GS = Glare Shield
	*40 LPW (Lumens per watt)				



Accessories



(WPS40GS) Glare Shield



(WPS40WG) Wireguard



(PC1 & PC2) Photocell



Optic Options:  
 (2) 20° beam  
 (4) 40° beam  
 (6) 60° beam

LED Information

"GREEN" ENERGY EFFICIENCY:

Cost of ownership (life and efficacy advantages) - 2 year payback possible

Long life (50,000 hrs) – reliability, sustained image

No mercury or lead

FAST SHIPPING

Large Inventory of  
 LED MODULES & DRIVERS  
 IN STOCK

TECHNICAL:

Good quality white light (Ra 80+)

Choice of Color Temperatures (2700K, 3000K and 4000K)

50Hz-60Hz

Choice of operation: can be run as low as 350mA for maximum efficacy and up to 700mA for maximum output

Possibilities include: sharp beam cut-off optics, very low profile spot and flood optics (<20mm), and adjustable beam shaping

Minimal heat (IR) in the beam – can be placed close to merchandise

Fully dimmable (analog or digital)

Uniform beam (intensity and color temperature - no yellow ring or color shadows)

Color point consistency part to part and through life

Universal operating position

Extremely low UV- perfect for high value items sensitive to UV

Light Emitting Diode is fully enclosed, providing an IP 66 rating.