



Catalog Number	
Project	Type

## Features & Specifications

### Features

- Fully gasketed, corrosion-resistant housing
- Energy-efficient LED technology
- EZ snap-out chevron direction indicators
- UL listed for wet locations & meets UL924, NFPA 101 Life Safety Code, NEC, OSHA, Local and State Codes

### Electrical

- Dual 120V/277V voltage
- Charge rate/power "ON" LED indicator light and push-to-test switch for mandated code compliance testing
- LVD (low voltage disconnect) prevents battery from deep discharge
- Long-life, maintenance-free, rechargeable NiCad battery (B Model)
- Internal solid-state transfer switch automatically connects the internal battery to LED board/lamp heads for minimum 90-minute emergency illumination
- Fully automatic solid-state, two-rate charger initiates battery charging to recharge a discharged battery in 24 hours

### Mounting

- Knockouts for back mounting

### Housing

- Corrosion-resistant, polycarbonate UV-stabilized housing
- Removable KO directional indicators
- Single face only
- Polycarbonate face plate

### Illumination

- Standard with two 5.4 watt tungsten fully adjustable, glare-free incandescent emergency lighting heads.
- High-performance smooth thermoplastic reflector and plastic lens for optimal light distribution
- Ultra-bright, energy efficient, long-life Red or Green LED (exit sign illumination)
- 6" EXIT letters

### Warranty

- Five Year Warranty on all electronics and housing. Batteries are pro-rated warranted for 5 years.

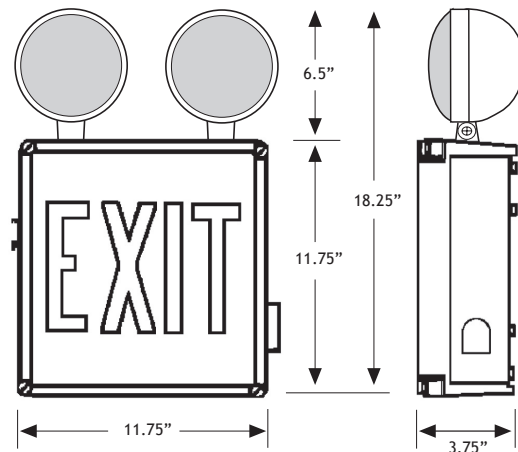
## WLE & CWLE SERIES

### WET LOCATION

### EXIT & EXIT/EMERGENCY COMBO



### DIMENSIONS



Please contact your Horizon Sales Representative for more information.

### Ordering Nomenclature

Ex: (Wet Location Exit/Emergency Combo, Red Letters, Battery Back-Up = CWLERB)

WLE				
SERIES WLE (Exit) CWLE (Exit/Emergency Combo)	LETTER COLOR R - Red G - Green	BATTERY Blank - AC Only B - Battery Back-Up (Required on Combo Unit)	ACCESSORIES HT - Internal Heater	