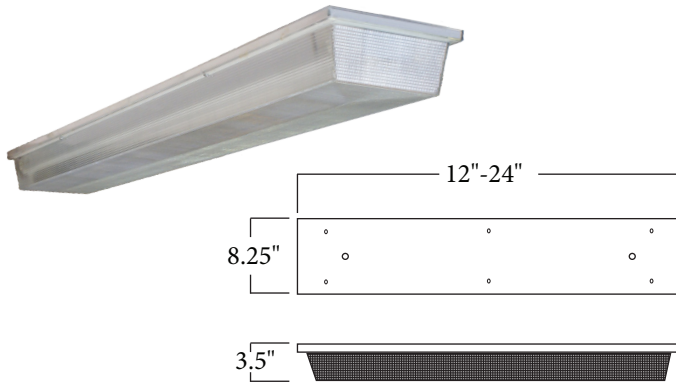


VP SERIES

Vandal Proof



ORDERING INFORMATION

Description	Part Number
1L 14W T5 120/277V	VP114D(A)
1L 17W T8 120/277V	VP117D(A)
1L 28W T5 120/277V	VP128T5D(A)
1L 32W T8 120/277V	VP132D(A)
1L 54W T5HO 120/277V	VP154D(A)
2L 14W T5 120/277V	VP214D(A)
2L 17W T8 120/277V	VP217D(A)
2L 28W T5 120/277V	VP1228T5D(A)
2L 32W T8 120/277V	VP232D(A)
2L 54W T5HO 120/277V	VP254D(A)

Option Codes

(A) Options

Blank	- None
10RS	- ≤10% THD, Rapid Start
P	- Program Start
20	- ≤20% THD

DESIGN

The VP Series Vandal Proof is great for public buildings, security areas, high abuse areas such as institutions or schools, and areas where dust, dirt, and moisture can be present. It is suitable for both indoor and outdoor applications in non-hazardous environments..

ACCESSORIES

6' 16/3 CORD W/ 15A NEMA PLUG
C1 (120V)
C2 (277V)
C4 (480V)

TAMPER PROOF SCREWS
TPS

T8 EMERGENCY BALLAST
EB5 (500 LUMEN)
EB7 (700 LUMEN)
EB14 (1400 LUMEN)
EB30 (3000 LUMEN)

TAMPER PROOF DRILL BIT
TPDB

MOTION SENSOR
WOC (120/277V)
WOC1 (347/480V)

TECHNICAL INFORMATION

Fixture features a die-formed heavy gauge steel housing. Injection molded prismatic polycarbonate lens with UV inhibitors. Continuous gasketing formed to housing provides a seamless seal. Stainless steel screws or optional tamper proof screws available. Integral (molded) locking lugs opposite the retention screws. ETL listed. Suitable for wet locations. Ballasts are solid state electronic. All reflective surfaces are finished with a high reflectance, lighting fixture white polyester powder.