



LED Series Information

Features:

Heavy Duty Die-Cast Aluminum Housing with a Textured Architectural Bronze Powdercoat Finish over a Chromate Conversion Coating for Durability

Clear Polycarbonate Prismatic Optical Housing

White Powder Coat Steel Reflector

Housing Features Threaded 1/2" Coin Plugs with Gaskets for Conduit and/or Photo Cell Installation

Sealed Optics Prevents Dust Accumulation Inside the Fixture

CSA Listed for Wet Locations

Custom Colors Available

Applications:

- Canopy Areas
- Shopping Malls
- Terminals
- Public Buildings
- Convenience Stores

Accessories Sold Separately

Options:

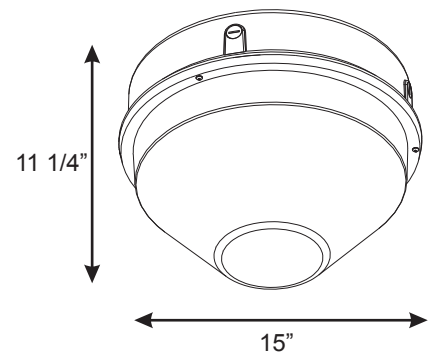
LED Garage Lighter



VNGL40L



Dimensions:



LED Series Order Information

Typical Ordering Number:
VNGL40L-4X15-Q-4-6-PC1

Model#	Total Watts	Ballast	Color Temp	Optics	Options
VNGL40L	1X7H =1x7.5w (7.5w) * 2X7H =2x7.5w (15w)* 3X7H =3x7.5w (22.5w)* 4X7H =4x7.5w (30w)* 1X15 =1x15w (15w) * 2X15 =2x15w (30w)* 3X15 =3x15w (45w)* 4X15 =4x15w (60w)*	Q = Quad Tap	2 = 2700k 3 = 3000k 4 = 4000k	N = None 2 = 20° 4 = 40° 6 = 60°	PC1 = 120V Photocell PC2 = 208-277V Photocell
*40 LPW (Lumens per watt)					



Accessories



(PC1 & PC2) Photocell



Optic Options:
 (2) 20° beam
 (4) 40° beam
 (6) 60° beam

LED Information

"GREEN" ENERGY EFFICIENCY:

Cost of ownership (life and efficacy advantages) - 2 year payback possible

Long life (50,000 hrs) – reliability, sustained image

No mercury or lead

FAST SHIPPING

Large Inventory of
 LED MODULES & DRIVERS
 IN STOCK

TECHNICAL:

Good quality white light (Ra 80+)

Choice of Color Temperatures (2700K, 3000K and 4000K)

50Hz-60Hz

Choice of operation: can be run as low as 350mA for maximum efficacy and up to 700mA for maximum output

Possibilities include: sharp beam cut-off optics, very low profile spot and flood optics (<20mm), and adjustable beam shaping

Minimal heat (IR) in the beam – can be placed close to merchandise

Fully dimmable (analog or digital)

Uniform beam (intensity and color temperature - no yellow ring or color shadows)

Color point consistency part to part and through life

Universal operating position

Extremely low UV- perfect for high value items sensitive to UV

Light Emitting Diode is fully enclosed, providing an IP 66 rating.