



Catalog Number	
Project	Type

Features & Specifications

Application

The Telescopic Staggered Strip is adjustable to maintain a uniform distribution of light especially helpful in end of row applications.

Features

Optimized for T8 or T5 lamp performance. Premium housing crimped along sides for extra rigidity and straight alignment. Features pressure lock lamp holders. Accepts optional plug-in wiring feature for continuous row installation. Can be surface mounted, individual or in rows. Numerous KO's for easy installation.

Construction

Fixture housing, lamp holder brackets, end sections and channel over constructed of heavy gauge die-formed steel.

Electrical System

ETL listed. Suitable for damp locations. Damp location emergency pack must be specified separately. Ballasts are solid-state electronic. Ballasts and lamp holders are replaceable without removing from ceiling. Discrete voltage must be specified for emergency pack options when wired with flex.

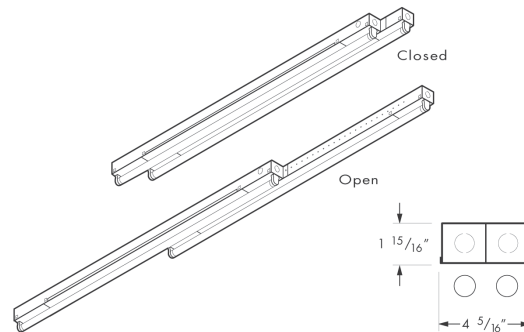
Finish

All reflective surfaces are finished with a high reflectance, lighting fixture white polyester powder.

TSS SERIES TELESCOPIC STAGGERED STRIP



DIMENSIONS



Please contact your Horizon Sales Representative for more information.

*All Dimensions subject to change without notice

Ordering Nomenclature

Ex: (Telescopic Staggered Strip, 2 Lamp, F32T8, Multi-Volt =TSS232D)

--	--	--	--	--	--

SERIES TSS	NUMBER OF LAMPS	WATTAGE	VOLTAGE	BALLAST FACTOR	OPTIONS

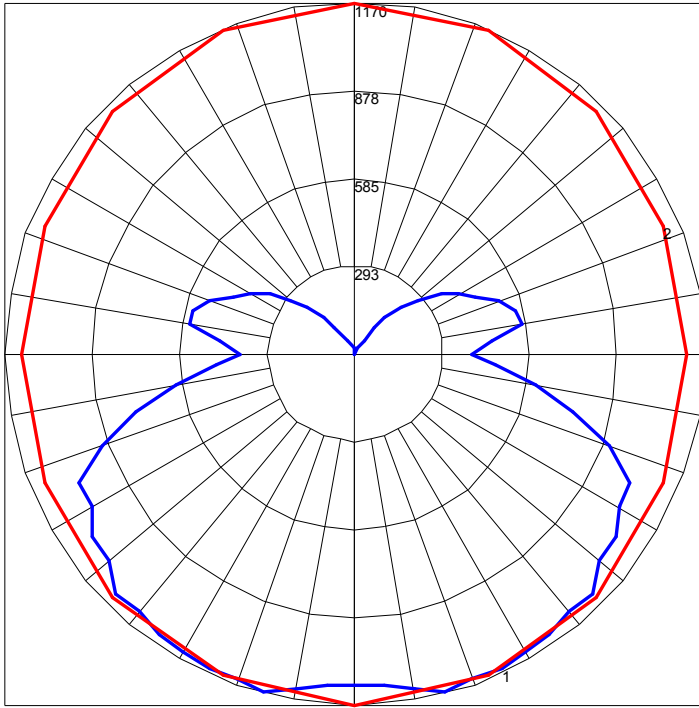
ADDITIONAL OPTIONS

- G10 - 10' Aircraft Cable w/ 12" Arms (2)
- G15 - 15' Aircraft Cable w/ 12" Arms (2)
- G20 - 20' Aircraft Cable w/ 12" Arms (2)

- WH54 - Wiring Harness 5-Wire 4-Foot
- WH38 - Wiring Harness 3-Wire 8-Foot
- WH48 - Wiring Harness 4-Wire 8-Foot
- WH58 - Wiring Harness 5-Wire 8-Foot
- 10JC - (3)S Hooks and 10' Jack Chain Set
- THE - Tong Hanger, End Mount (2)
- THS - Tong Hanger, Side Mount (2)

Energy Saving Tip!
Our Occupancy Sensor
option instantly turns
lights on and off

POLAR GRAPH



Maximum Candela = 1170 Located At Horizontal Angle = 90, Vertical Angle = 15
1 - Vertical Plane Through Horizontal Angles (90 - 270) (Through Max. Cd.)
2 - Horizontal Cone Through Vertical Angle (15) (Through Max. Cd.)