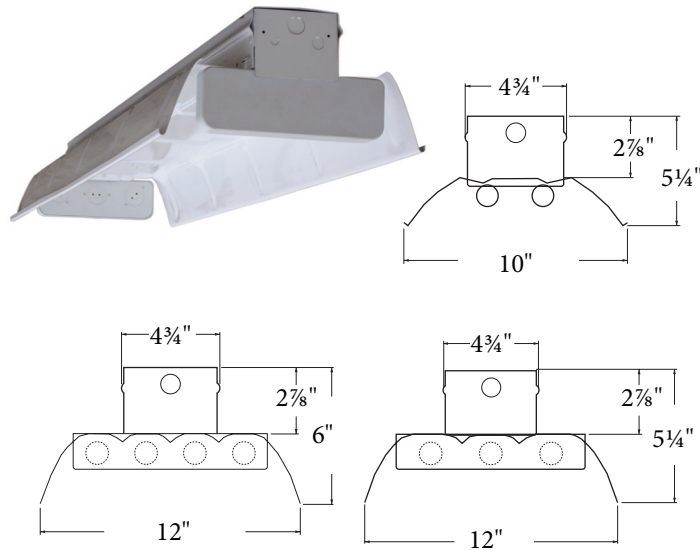


TS SERIES

Turret Strip



DESIGN

The TS Series Turret Strip is designed as a high quality general purpose fixture with a symmetrical reflector. It is ideal for simple task and area lighting applications and industrial environments where vibration is an issue so lamps will remain secured in the fixture.

ACCESSORIES

Order as separate line item

6' 16/3 CORD W/ 15A NEMA PLUG
 C1 (120V)
 C2 (277V)
 C4 (480V)

WIRING HARNESS
 WH34 (3 WIRE, 4')
 WH44 (4 WIRE, 4')
 WH54 (5 WIRE, 4')

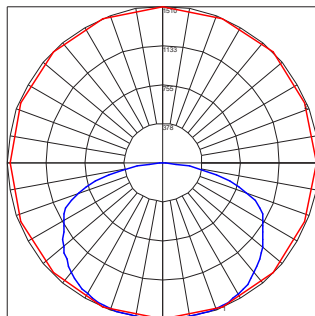
T8 EMERGENCY BALLAST
 EB5 (500 LUMEN)
 EB7 (700 LUMEN)
 EB14 (1400 LUMEN)
 EB30 (3000 LUMEN)

MOTION SENSOR
 WOC (120/277V)
 WOC1 (347/480V)

PHOTOMETRICS

IES INDOOR REPORT
 PHOTOMETRIC FILENAME : T5232.IES

POLAR GRAPH



Maximum Candela = 1510 Located At Horizontal Angle = 90, Vertical Angle = 7.5
 # 1 - Vertical Plane Through Horizontal Angles (0 - 270) (Through Max. Cd.)
 # 2 - Horizontal Cone Through Vertical Angle (7.5) (Through Max. Cd.)

1.800.225.0727

ORDERING INFORMATION

Description	Part Number
2L 32W T8 120/277	TS232 (A)D(B)
2L 28W TT 120/277	TS228T5 (A)D(B)
2L 54W T5HO 120/277	TS254 (A)D(B)
3L 32W T8 120/277	TS332 (A)D(B)
3L 28W T5 120/277	TS328T5 (A)D(B)
3L 54W T5HO 120/277	TS354 (A)D(B)
4L 32W T8 120/277	TS432 (A)D(B)
4L 28W T5 120/277	TS428T5 (A)D(B)
4L 54W T5HO 120/277	TS454 (A)D(B)

Option Codes

(A) Housing
 U - Uplight
 S - Solid

(B) Options

Blank - None
 10RS - ≤10% THD, Rapid Start
 P - Program Start
 20 - ≤20% THD
 IO - Inboard/Outboard (2 Lamp-2 Lamp)
 IO2 - Inboard/Outboard (1 Lamp-3 Lamp)

MOUNTING

2 Sets of each mount must be ordered per fixture



(3)S HOOKS AND CHAIN SET
 10JC



TONG HANGER
 THE (END MOUNT)
 THS (SIDE MOUNT)



AIRCRAFT CABLE WITH 12" ARMS
 G10 (10')
 G12 (12')
 G15 (15')

TECHNICAL INFORMATION

Fixture housing and channel cover are constructed of heavy gauge die-formed steel. Sockets enclosed in turret-type housing. Sturdy embossed reflectors effectively direct and control light. ETL listed. Suitable for damp locations. Ballasts are solid state electronic. Ballasts and lamp holders are replaceable without removing from ceiling. Can be mounted as single fixture or in a continuous row. All reflective surfaces are finished with a high reflectance, lighting fixture white polyester powder.

WWW.TECLIGHTUSA.COM

All specifications are subject to change without notice. Please refer to www.techlightusa.com for the most current information.

3 | 1

STRIPS