



Catalog Number	
Project	Type

Features & Specifications

Application

This indirect fixture is designed for wall mounting applications where aesthetics and performance are both needed.

Features

Designed to mount to a wall bracket (provided) that compensates for uneven surfaces and allows for recessed electrical boxes. Forward throw design optical system maximizes the output of T5 and T8 lamps.

Construction

Heavy gauge roll formed steel housing with slots covered by an opaque overlay. Units are shipped with die cast aluminum joiners installed for structural continuity and for attaching other units for continual runs or end caps.

Electrical System

ETL listed. Suitable for damp locations. Damp location emergency pack must be specified separately. Ballasts are solid-state electronic. Ballasts and lamp holders are replaceable without removing from ceiling. Discrete voltage must be specified for emergency pack options when wired with flex.

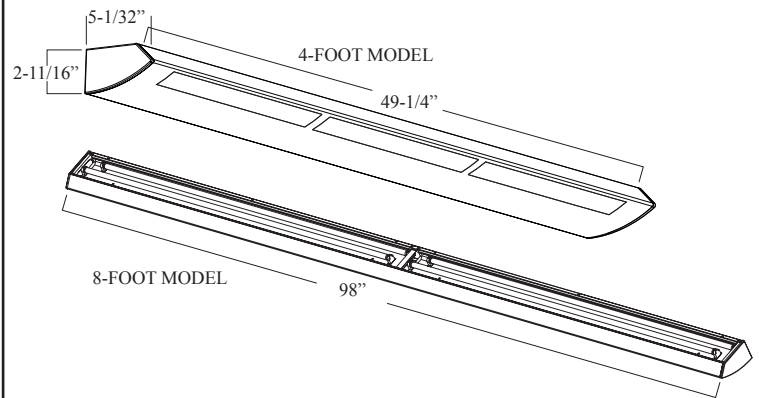
Finish

All reflective surfaces are finished with a high reflectance, lighting fixture white polyester powder.

SWL SERIES SLOTTED WALL LIGHT



DIMENSIONS



Please contact your Horizon Sales Representative for more information.
All dimensions subject to change without notice.

Ordering Nomenclature

Ex: (Slotted Wall Light, 2 Lamps, F32T8, White Fixture, Multi-Volt = SWL232WD)

--	--	--	--	--	--	--

SERIES SWL	NUMBER OF LAMPS PER CROSS SECTION 2	WATTAGE/TYPE	FIXTURE COLOR	VOLTAGE	BALLAST FACTOR	OPTIONS
For tandem double-length unit, add suffix T Ex: SWLT	(Tandem fixture bodies will have two cross sections per fixture doubling the length and number of lamps per fixture)	28T5 - 28W T5, 48"	BLANK - White T - Titanium B - Black	D - Multi-Volt	BLANK - Normal H - High L - Low	10RS - ≤10% THD, Rapid Start
		32 - 32W T8, 48"		1 - 120V		P - Program Start
		54 - 54W T5HO, 48"		2 - 277V		20 - ≤20% THD
				3 - 347V		EB5 - 500 Lumen Emergency Ballast
				4 - 480V		EB7 - 700 Lumen Emergency Ballast
						EB14 - 1400 Lumen Emergency Ballast
						EB30 - 3000 Lumen Emergency Ballast
						FBF - Fast-Blow Fuse
						SBF - Slow-Blow Fuse
						PWO - Palletized without Cartons
						CD - Continuous Dimming (T8)
						SD - Step Dimming (T8)
						WOC - 120/347 Volt Sensor
						WOC1 - 480 Volt Sensor
						WH34 - Wiring Harness 3-Wire 4-Foot
						WH44 - Wiring Harness 4-Wire 4-Foot
						WH54 - Wiring Harness 5-Wire 4-Foot
						WH38 - Wiring Harness 3-Wire 8-Foot
						WH48 - Wiring Harness 4-Wire 8-Foot
						WH58 - Wiring Harness 5-Wire 8-Foot

Energy Saving Tip!
Our Occupancy Sensor option instantly turns lights on and off