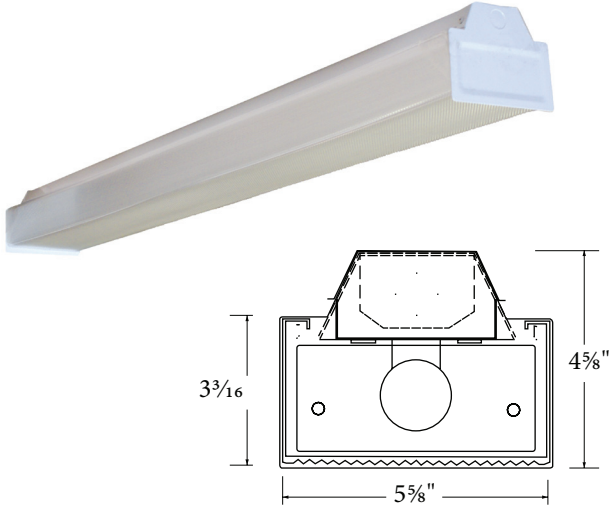


SW SERIES

Single Lamp Wrap



DESIGN

The SW Series Single Lamp Wrap is a low profile, single light fluorescent wraparound. It is perfect as a complement fixture for corridors, stairwells, small office areas, commercial spaces, dormitories, and as utility lighting.

ORDERING INFORMATION

Description	Part Number ¹
1L 14W T5 120/277V	SW114D (A)
1L 17W T8 120/277V	SW117D (A)
1L 25W T8 120/277V	SW125D (A)
1L 28W T5 120/277V	SW128T5D (A)
1L 28W T8 120/277V	SW128T8D (A)
1L 32W T8 120/277V	SW132D (A)
1L 54W T5HO 120/277V	SW154D (A)

Option Codes
(A) Options
 Blank - None
 10RS - ≤10% THD, Rapid Start
 P - Program Start
 20 - ≤20% THD

MOUNTING

2 Sets of each are provided per order



(3) S HOOKS AND
CHAIN SET
10JC



TONG HANGER
THE (END MOUNT)
THS (SIDE MOUNT)



AIRCRAFT CABLE WITH
12" ARMS
G10 (10')
G15 (15')
G20 (20')

WRAPS

ACCESSORIES

Order as separate line item



6' 16/3 CORD W/
NEMA PLUG
C1 (120V)
C2 (277V)
C4 (480V)



WIRING HARNESS
WH34 (3 WIRE, 4')
WH44 (4 WIRE, 4')
WH54 (5 WIRE, 4')



T8 EMERGENCY BALLAST
EB5 (500 LUMEN)
EB7 (700 LUMEN)
EB14 (1400 LUMEN)
EB30 (3000 LUMEN)



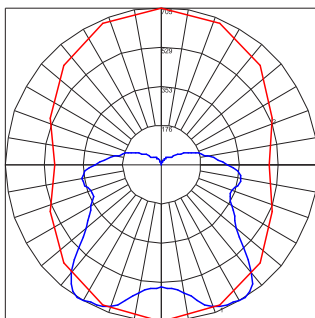
WIRING HARNESS
WH38 (3 WIRE, 8')
WH48 (4 WIRE, 8')
WH58 (5 WIRE, 8')



MOTION SENSOR
WOC (120/347V)
WOC1 (480V)

PHOTOMETRICS

IES INDOOR REPORT
PHOTOMETRIC FILENAME: SW152IES
POLAR GRAPH



Maximum Candela = 705 Located At Horizontal Angle = 90, Vertical Angle = 32.5
 # 1 - Vertical Plane Through Horizontal Angles (90 - 270) (Through Max. Cd.)
 # 2 - Horizontal Plane Through Vertical Angle (32.5) (Through Max. Cd.)

TECHNICAL INFORMATION

Housing is constructed of die-formed heavy gauge steel. All parts snap together for ease of installation and maintenance. Housing uses lift-and-shift prismatic lenses. Suitable for damp locations. Ballasts are solid state electronic. Ballasts and lamp holders are replaceable without removing from ceiling. Can be mounted as single fixture or in a continuous row. All reflective surfaces are finished with a high reflectance, lighting fixture white polyester powder.