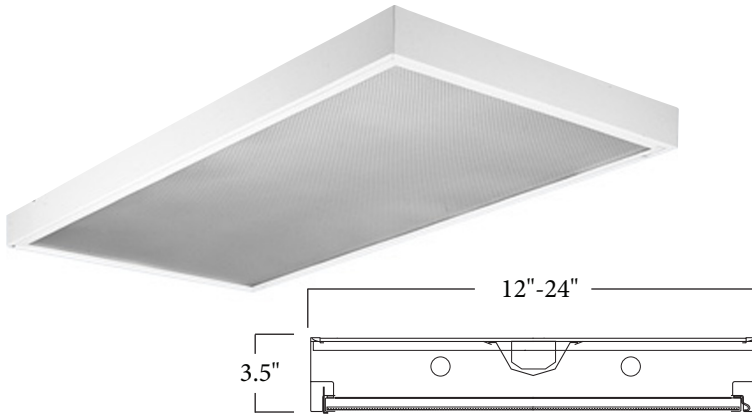


SM SERIES

Surface Mount



ORDERING INFORMATION

Description	Part Number
1X4 2L 32W T8 120/277V	SM1232SWD (A)
2X2 4L 17W T8 120/277V	SM22417SWD (A)
2X2 2L 32W T8 U 120/277V	SM222U316SWD (A)
2X4 3L 28W T5 120/277V	SM23328T5SWD (A)
2X4 3L 32W T8 120/277V	SM2332SWD (A)
2X4 3L 54W T5HO 120/277V	SM2354SWD (A)
2X4 4L 28W T5 120/277V	SM2428T5SWD (A)
2X4 4L 32W T8 120/277V	SM2432SWD (A)
2X4 4L 54W T5HO 120/277V	SM2454SWD (A)

Option Codes

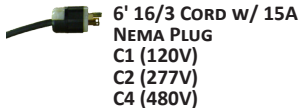
(A) Options

- Blank - None
- 10RS - $\leq 10\%$ THD, Rapid Start
- P - Program Start
- 20 - $\leq 20\%$ THD
- IO - Inboard/Outboard (2 Lamp-2 Lamp)
- IO2 - Inboard/Outboard (1 Lamp-3 Lamp)

DESIGN

The SM Surface Mount Fixture was designed for cost effective lighting of warehouse, manufacturing plants, sports facilities, and retail environments. Designed for surface or stem mounting applications that require a low profile architectural finish.

ACCESSORIES



6' 16/3 CORD W/ 15A
NEMA PLUG
C1 (120V)
C2 (277V)
C4 (480V)



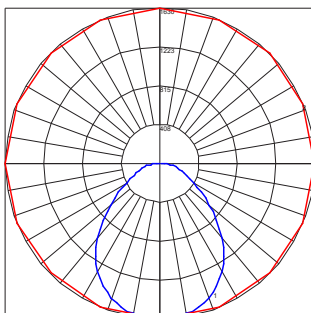
T8 EMERGENCY BALLAST
EB5 (500 LUMEN)
EB7 (700 LUMEN)
EB14 (1400 LUMEN)
EB30 (3000 LUMEN)



MOTION SENSOR
WOC (120/277V)
WOC1 (347/480V)

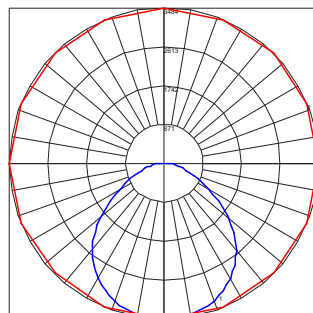
PHOTOMETRICS

IES INDOOR REPORT
PHOTOMETRIC FILENAME: SM222U316.IES
POLAR GRAPH



Maximum Candela = 1620. Located At Horizontal Angle = 0, Vertical Angle = 2.5
1 - Vertical Plane Through Horizontal Angles (0 - 180) (Through Max. Cd.)
2 - Horizontal Cone Through Vertical Angle (2.5) (Through Max. Cd.)

IES INDOOR REPORT
PHOTOMETRIC FILENAME: SM2432.IES
POLAR GRAPH



Maximum Candela = 3484. Located At Horizontal Angle = 22.5, Vertical Angle = 2.5
1 - Vertical Plane Through Horizontal Angles (22.5 - 202.5) (Through Max. Cd.)
2 - Horizontal Cone Through Vertical Angle (2.5) (Through Max. Cd.)

1.800.225.0727

WWW.TECHLIGHTUSA.COM

All specifications are subject to change without notice. Please refer to www.techlightusa.com for the most current information.