



Catalog Number	
Project	Type

## Features & Specifications

### Application

This fixture is designed for suspension mounting for direct/indirect applications where aesthetics and performance are both needed. Virtually glare free and shadow free illumination.

### Features

Designed to mount on exact 4 foot, 8 foot, and 12 foot centers. Joiners will accept stems, single cable, and power cords as supplied by Horizon. Louvers available in white or semi-spec aluminum. Louvers give a better than 45 degree cutoff to the lamp. Two die cast aluminum architectural ends available (Spade, Bull Nose). Each fixture is shipped with a sleeve that allows for the adjustment of up/down light to:

20% Up / 80% Down;  
60% Up / 40% Down;  
or 100% Down

### Construction

Heavy gauge roll formed steel housing with slots covered by an opaque overlay. Units are shipped with die cast aluminum joiners installed for suspension and structural continuity.

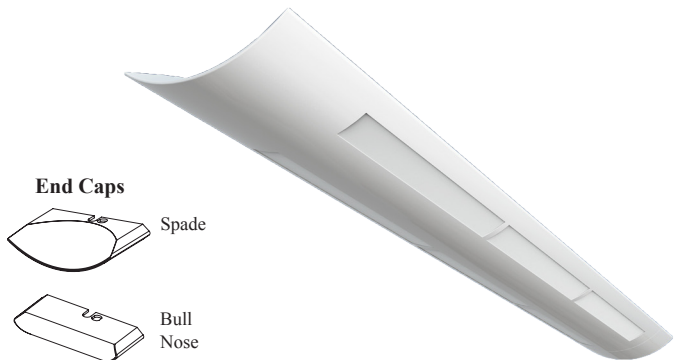
### Electrical System

ETL listed. Suitable for damp locations. Damp location emergency pack must be specified separately. Ballasts are solid-state electronic. Ballasts and lamp holders are replaceable without removing from ceiling. Discrete voltage must be specified for emergency pack options when wired with flex.

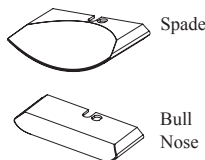
### Finish

All reflective surfaces are finished with a high reflectance, lighting fixture white polyester powder.

## SLL SERIES SLOTTED LINEAR LIGHT

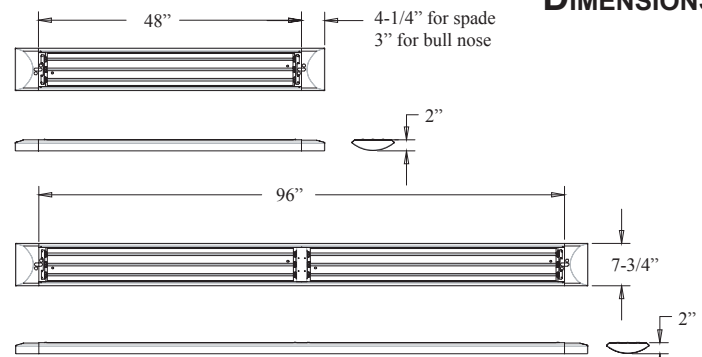


### End Caps



\*End Caps must be ordered separately.  
See Page 2 for ordering information

### DIMENSIONS



Please contact your Horizon Sales Representative for more information.

All dimensions subject to change without notice.

### Ordering Nomenclature

Ex: (Slotted Linear, 2 Lamps, F32T8, White Louvers, White Fixture, Multi-Volt = SLL232WD)

\*End Caps must be ordered separately.  
See Page 2 for ordering information

--	--	--	--	--	--	--

SERIES SLL	NUMBER OF LAMPS PER CROSS SECTION	WATTAGE/TYPE	FIXTURE COLOR	VOLTAGE	BALLAST FACTOR	OPTIONS
For tandem double-length unit, add suffix T Ex: SLLT	2  (Tandem fixture bodies will have two cross sections per fixture doubling the length and number of lamps per fixture)	32 - 32W T8, 48"	BLANK - White T - Titanium B - Black	D - Multi-Volt 1 - 120V 2 - 277V 3 - 347V 4 - 480V  *Multi-Volt is 120/277V	BLANK - Normal H - High L - Low	10RS - ≤10% THD, Rapid Start P - Program Start 20 - ≤20% THD EB5 - 500 Lumen Emergency Ballast EB7 - 700 Lumen Emergency Ballast EB14 - 1400 Lumen Emergency Ballast EB30 - 3000 Lumen Emergency Ballast FBF - Fast-Blow Fuse SBF - Slow-Blow Fuse AC63 - 6', 3/8" dia., Armored Flex Cable SJ6 - 6', 3/8" dia., 16/3 SJ Cord SJ10 - 10', 3/8" dia., 16/3 SJ Cord SJ15 - 15', 3/8" dia., 16/3 SJ Cord PWO - Palletized without Cartons CD - Continuous Dimming (T8) SD - Step Dimming (T8) WOC - 120/347 Volt Sensor WOC1 - 480 Volt Sensor C1 - 6' Cord w/120V Nema Plug 16/3 15A C2 - 6' Cord w/277V Nema Plug 16/3 15A C3 - 10' Cord w/277V Nema Plug 16/3 20A C4 - 6' Cord w/480V Nema Plug 16/3 20A

### ADDITIONAL OPTIONS

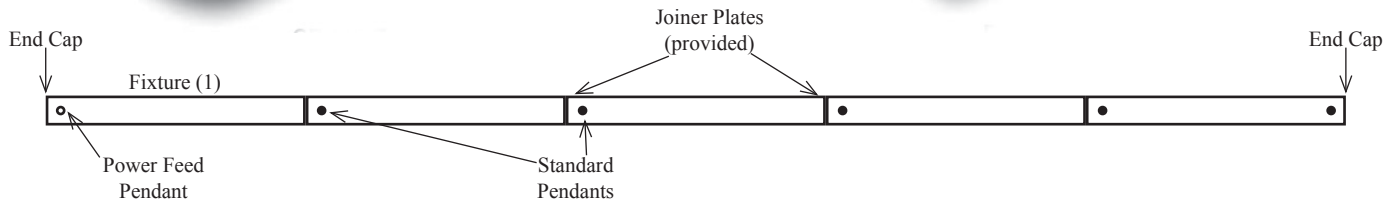
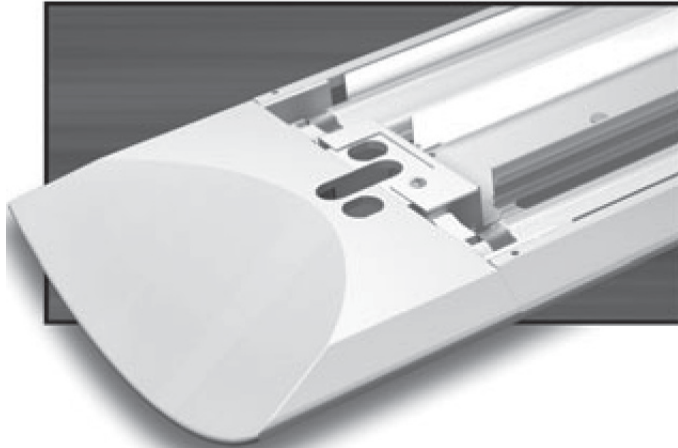
- WH34- Wiring Harness 3-Wire 4-Foot
- WH44- Wiring Harness 4-Wire 4-Foot
- WH54- Wiring Harness 5-Wire 4-Foot
- WH38- Wiring Harness 3-Wire 8-Foot
- WH48- Wiring Harness 4-Wire 8-Foot
- WH58- Wiring Harness 5-Wire 8-Foot

\*See Second Page for End Cap and Pendant Information

Energy Saving Tip!  
Our Occupancy Sensor option instantly turns lights on and off

SPADE

BULL NOSE



### End Caps and Joiner Plates

The Horizon Slotted Linear fixture was designed to be mounted as either a stand-alone fixture, or mounted end-to-end for continuous linear rows. The mounting configuration will determine the number of end caps and joiner plates needed to complete an installation.

End Caps should be ordered 2 per fixture for stand-alone fixtures or 2 per row for continuous linear rows (# of fixtures x 2, or # of rows x 2). Joiner Plates should be ordered as 1 per the number of fixtures in each row minus 1 (# of fixtures per row minus one)

Part Number	Description
SEC	Spade Nose End Cap (one)
BNEC	Bull Nose End Cap (one)

### Pendants

Power feed pendants should be ordered 1 per row for continuous linear rows (# of rows x 1). Non-power feed pendants should be ordered 1 per fixture for continuous linear rows (# of fixtures x 1).

Part Number	Description
PMNWXX	Rigid pendant - no power feed
PMWWXX	Rigid pendant with power feed wireway
CPNWXX	Aircraft Cable pendant - no power feed
CPWWXX	Aircraft Cable pendant with power feed wireway

"XX" Denotes pendant length. Order as 12", 15", 18", 21", 24" or 27" lengths.

### Typical Row Configurations

	Row Length	4'	8'	12'	16'	20'	24'	28'	32'	36'	40'	44'	48'
Fixture Length	4'	1		1		1		1		1		1	
	8'		1	1	2	2	3	3	4	4	5	5	6
Power Feed Pendant		1	1	1	1	1	1	1	1	1	1	1	1
Non-Power Pendant		1	1	2	2	3	3	4	4	5	5	6	6
End Caps		2	2	2	2	2	2	2	2	2	2	2	2
Joiner Plates				1	1	2	2	3	3	4	4	5	5