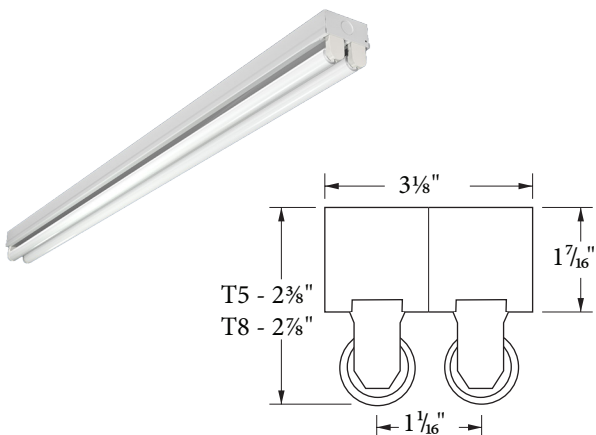


S SERIES

Shallow Economy Strip



DESIGN

The S Series Shallow Economy Strip is designed for general purpose applications. It is an excellent choice for commercial, industrial, or retail applications such as storage/utility areas, shops, task and general lighting.

ACCESSORIES

Order as separate line item

6' 16/3 CORD W/ 15A NEMA PLUG
 C1 (120V)
 C2 (277V)
 C4 (480V)

T8 EMERGENCY BALLAST
 EB5 (500 LUMEN)
 EB7 (700 LUMEN)
 EB14 (1400 LUMEN)
 EB30 (3000 LUMEN)

MOTION SENSOR
 WOC (120/277V)
 WOC1 (347/480V)

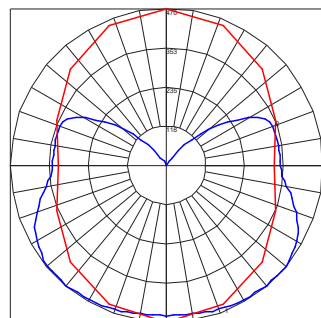
WIRE GUARD
 SWG2 (2')
 SWG3 (3')
 SWG4 (4')

ASYMMETRICAL REFLECTOR
 AR2 (2')
 AR3 (3')
 AR4 (4')

WIRING HARNESS
 WH34 (3 WIRE, 4')
 WH44 (4 WIRE, 4')
 WH54 (5 WIRE, 4')

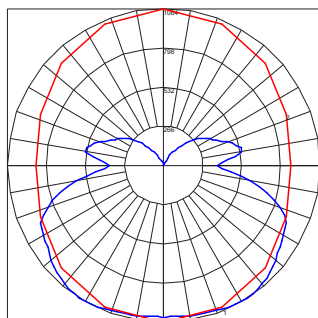
PHOTOMETRICS

IES INDOOR REPORT
 PHOTOMETRIC FILENAME: S132.IES
 POLAR GRAPH



Maximum Candela = 470. Located At Horizontal Angle = 90, Vertical Angle = 40
 # 1 - Vertical Plane Through Horizontal Angles (90 - 270) (Through Max. Cd.)
 # 2 - Horizontal Cone Through Vertical Angle (40) (Through Max. Cd.)

IES INDOOR REPORT
 PHOTOMETRIC FILENAME: S232.IES
 POLAR GRAPH



Maximum Candela = 1064. Located At Horizontal Angle = 90, Vertical Angle = 30
 # 1 - Vertical Plane Through Horizontal Angles (90 - 270) (Through Max. Cd.)
 # 2 - Horizontal Cone Through Vertical Angle (30) (Through Max. Cd.)

ORDERING INFORMATION

Description	Part Number
1L 17W T8 120/277V	S117D (A)
1L 25W T8 120/277V	S125D (A)
1L 32W T8 120/277V	S132D (A)
1L 54W T5HO 120/277V	S154D (A)
2L 17W T8 120/277V	S217D (A)
2L 25W T8 120/277V	S225D (A)
2L 32W T8 120/277V	S232D (A)
2L 54W T5HO 120/277V	S254D (A)

Option Codes

- (A) Options
 Blank - None
 10RS - ≤10% THD, Rapid Start
 P - Program Start
 20 - ≤20% THD

MOUNTING

2 Sets of each mount must be ordered per fixture



(3)S HOOKS AND CHAIN SET
 10JC



TONG HANGER
 THE (END MOUNT)
 THS (SIDE MOUNT)



AIRCRAFT CABLE WITH 12" ARMS
 G10 (10')
 G12 (12')
 G15 (15')

TECHNICAL INFORMATION

Fixture housing, lamp holder brackets, end sections, and channel cover are constructed of heavy gauge die-formed steel¹. ETL listed. Suitable for damp locations. Ballasts are solid state electronic. Ballasts and lamp holders are replaceable without removing from ceiling. Can be mounted as single fixture or in a continuous row. All reflective surfaces are finished with a high reflectance, lighting fixture white polyester powder.

Notes: 1-Aluminum body version is available. See Strips Complete Nomenclature page for ordering information.