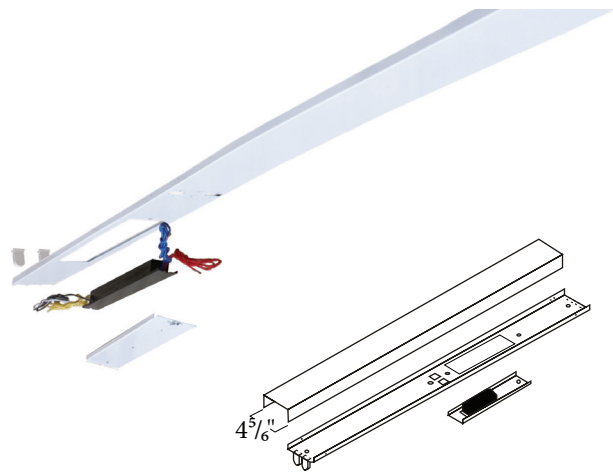


## BPR SERIES

### Belly Pan Retrofit Kit



## ORDERING INFORMATION

Description	Part Number
1L 32W T8 120/277V	BPR132D (A)
1L 54W T5HO 120/277V	BPR154D (A)
2L 32W T8 120/277V	BPR232D (A)
2L 54W T5HO 120/277V	BPR254D (A)
3L 32W T8 120/277V	BPR332D (A)
3L 54W T5HO 120/277V	BPR354D (A)
1L TANDEM <sup>1</sup> 32W T8 120/277V	BPRT132D (A)
1L TANDEM <sup>1</sup> 54W T5HO 120/277V	BPRT154D (A)
2L TANDEM <sup>1</sup> 32W T8 120/277V	BPRT232D (A)
2L TANDEM <sup>1</sup> 54W T5HO 120/277V	BPRT254D (A)
3L TANDEM <sup>1</sup> 32W T8 120/277V	BPRT332D (A)
3L TANDEM <sup>1</sup> 54W T5HO 120/277V	BPRT354D (A)

#### Option Codes

- (A) Options  
 Blank - Normal Power Factor Ballast  
 H - High Power Factor Ballast  
 L - Low Power Factor Ballast

## DESIGN

The BPR Series Belly Pan Retrofit Kit is a great way to modify an existing fixture to T8 or T5 lamp technology while saving time and energy in the process. It is a simple and cost effective upgrade that optimizes light output to meet most utility rebate requirements.

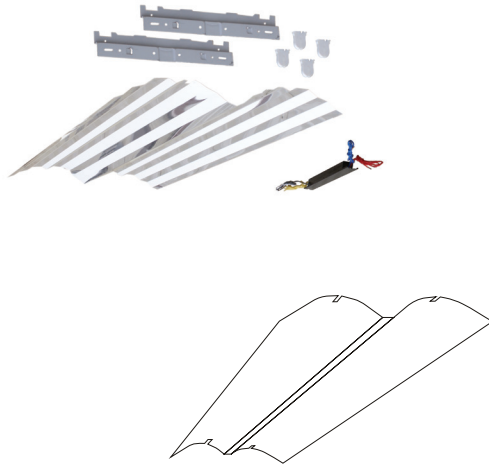
## TECHNICAL INFORMATION

Lamp holder brackets and channel cover are constructed of heavy gauge die-formed steel. Designed to retrofit existing 4' and 8' long, 4" and 5" wide existing strip lights. ETL listed as a ballast cover. Ballasts are solid state electronic. All reflective surfaces are finished with a high reflectance, lighting fixture white polyester powder.

Notes: 1-The number of lamps referred to in the description is the number of lamps per cross section. There are two cross sections in a tandem fixture.

## TRK SERIES

### Troffer Retrofit Kit



## DESIGN

The TRK Troffer Retrofit Kit is a great way to modify an existing troffer to T8 or T5 lamp technology while saving time and energy in the process. It is a simple and cost effective upgrade that optimizes light output to meet most utility rebate requirements.

## ORDERING INFORMATION

Description	Part Number
2X2 2L 14W T5 WHITE REFL 120/277V	TRK22214WD (A)
2X2 2L 14W T5 MIRO 4 REFL 120/277V	TRK22214MD (A)
2X2 2L 17W T8 WHITE REFL 120/277V	TRK22217WD (A)
2X2 2L 17W T8 MIRO 4 REFL 120/277V	TRK22217MD (A)
2X4 2L 32W T8 WHITE REFL 120/277V	TRK2232WD (A)
2X4 2L 32W T8 MIRO 4 REFL 120/277V	TRK2232MD (A)
2X4 2L 54W T5HO WHITE REFL 120/277V	TRK2254WD (A)
2X4 2L 54W T5HO MIRO 4 REFL 120/277V	TRK2254MD (A)

### Option Codes

#### (A) Options

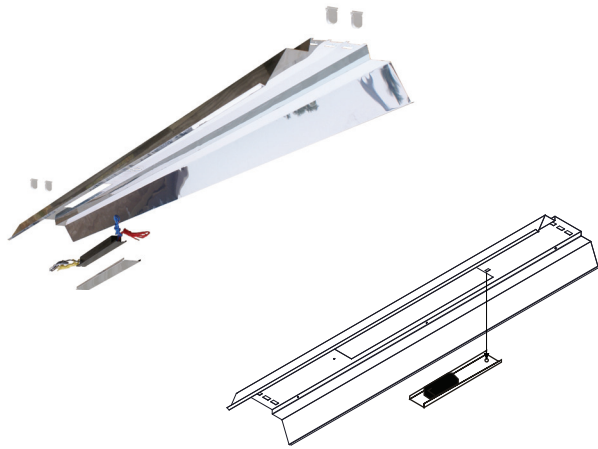
Blank - Normal Power Factor Ballast  
H - High Power Factor Ballast  
L - Low Power Factor Ballast

## TECHNICAL INFORMATION

Lamp holder brackets are constructed of heavy gauge die-formed steel. Designed to retrofit existing 2' x 2' and 2' x 4' lay-in troffers. ETL listed as a ballast cover. Separately ordered ballasts are solid state electronic. The fixture can be furnished with a white polyester powder coated reflector or Miro 4 reflector. Kit includes self-tapping Tek screws for hassle free installation.

## ISR SERIES

### Industrial Strip Retrofit Kit



## ORDERING INFORMATION

Description	Part Number
1L 32W T8 120/277V	ISR132(A)D(B)
1L 54W T5HO 120/277V	ISR154(A)D(B)
2L 32W T8 120/277V	ISR232(A)D(B)
2L 54W T5HO 120/277V	ISR254(A)D(B)
3L 32W T8 120/277V	ISR332(A)D(B)
3L 54W T5HO 120/277V	ISR354(A)D(B)
1L TANDEM <sup>1</sup> 32W T8 120/277V	ISRT132(A)D(B)
1L TANDEM <sup>1</sup> 54W T5HO 120/277V	ISRT154(A)D(B)
2L TANDEM <sup>1</sup> 32W T8 120/277V	ISRT232(A)D(B)
2L TANDEM <sup>1</sup> 54W T5HO 120/277V	ISRT254(A)D(B)
3L TANDEM <sup>1</sup> 32W T8 120/277V	ISRT332(A)D(B)
3L TANDEM <sup>1</sup> 54W T5HO 120/277V	ISRT354(A)D(B)

#### Option Codes

##### (A) Reflector

W - White  
M - Miro 4

##### (B) Options

Blank - Normal Power Factor Ballast  
H - High Power Factor Ballast  
L - Low Power Factor Ballast

## DESIGN

The ISR Industrial Strip Retrofit Kit is a great way to modify an existing industrial strip to T8 or T5 lamp technology while saving time and energy in the process. It is a simple and cost effective upgrade that optimizes light output to meet most utility rebate requirements.

## TECHNICAL INFORMATION

Lamp holder brackets and channel cover are constructed of heavy gauge die-formed steel. Designed to retrofit existing 4' and 8' long, 4" and 5" wide existing industrial lights. ETL listed as a ballast cover. Ballasts are solid state electronic. All reflective surfaces are finished with a high reflectance, lighting fixture white polyester powder.