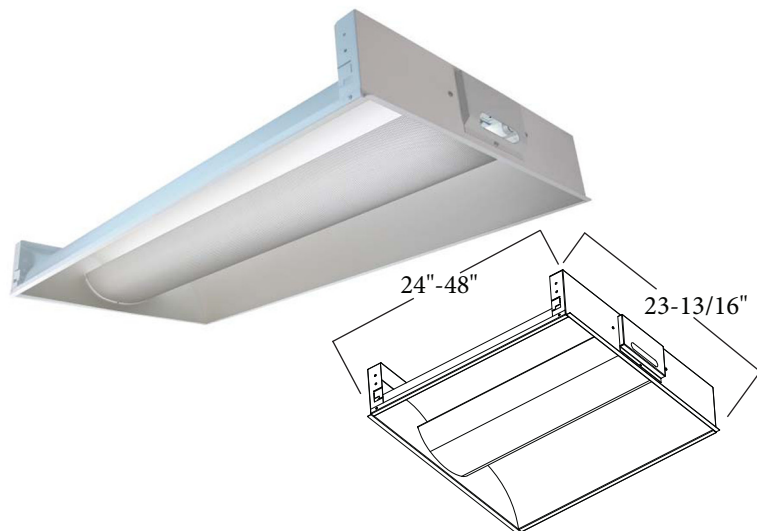


## RCDI SERIES

### Center Lamp Direct / Indirect



## ORDERING INFORMATION

Description	Part Number
2X2 2L 17W T8 120/277V	RCDI22217D(A)
2X2 2L 24W T5HO 120/277V	RCDI22224D(A)
2X2 3L 17W T8 120/277V	RCDI22317D(A)
2X2 3L 24W T5HO 120/277V	RCDI22324D(A)
2X4 2L 32W T8 120/277V	RCDI2232D(A)
2X4 2L 54W T5HO 120/277V	RCDI2254D(A)
2X4 3L 32W T8 120/277V	RCDI2332D(A)
2X4 3L 54W T5HO 120/277V	RCDI2354D(A)

#### Option Codes

(A) Options	
Blank	- None
10RS	- ≤10% THD, Rapid Start
P	- Program Start
20	- ≤20% THD

All part numbers shown here include white perforated baskets.

## DESIGN

The RCDI Series Center Lamp Direct / Indirect fixture is designed for recessed ceiling mounting for direct/indirect lighting applications where aesthetics and performance are both required. It provides soft, balanced illumination. The contemporary styling makes it appropriate for offices or other architectural applications.

## ACCESSORIES

Order as separate line item



6' 16/3 CORD W/ 15A NEMA PLUG  
C1 (120V)  
C2 (277V)  
C4 (480V)



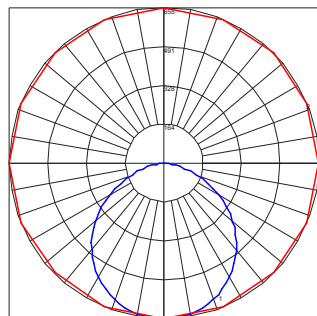
T8 EMERGENCY BALLAST  
EB5 (500 LUMEN)  
EB7 (700 LUMEN)  
EB14 (1400 LUMEN)  
EB30 (3000 LUMEN)



MOTION SENSOR  
WOC (120/277V)  
WOC1 (347/480V)

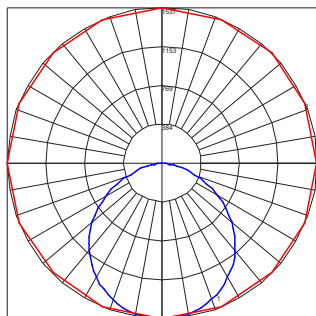
## PHOTOMETRICS

IES INDOOR REPORT  
PHOTOMETRIC FILENAME: RCDI2224.IES  
POLAR GRAPH



Maximum Candela = 655 Located At Horizontal Angle = 0, Vertical Angle = 0  
#1 - Vertical Plane Through Horizontal Angles (0 - 180) (Through Max. Cs.)  
#2 - Horizontal Cone Through Vertical Angle (0) (Through Max. Cs.)

IES INDOOR REPORT  
PHOTOMETRIC FILENAME: RCDI254.IES  
POLAR GRAPH



Maximum Candela = 1537 Located At Horizontal Angle = 0, Vertical Angle = 0  
#1 - Vertical Plane Through Horizontal Angles (0 - 180) (Through Max. Cs.)  
#2 - Horizontal Cone Through Vertical Angle (0) (Through Max. Cs.)

1.800.225.0727

WWW.TECLIGHTUSA.COM

All specifications are subject to change without notice. Please refer to [www.techlightusa.com](http://www.techlightusa.com) for the most current information.

## MOUNTING



FLANGE KIT  
FK14 (1x4)  
FK22 (2x2)  
FK24 (2x4)

## TECHNICAL INFORMATION

Housing is constructed of structurally embossed, heavy gauge, cold rolled steel. Available with either ribbed acrylic diffusers or perforated baskets. Wire way covers snap in for easy attachment and removal. ETL listed. Suitable for damp locations. Ballasts are solid state electronic. All reflective surfaces are finished with a high reflectance, lighting fixture white polyester powder.