



| | |
|----------------|------|
| Catalog Number | |
| Project | Type |

Features & Specifications

Application

This indirect fixture is designed for wall mounting applications where aesthetics and performance are both needed.

Features

Designed to mount to a wall bracket (provided) that compensates for uneven surfaces and allows for recessed electrical boxes. Louvers give a better than 45 degree cutoff to the lamp. Forward throw design optical system maximizes the output of T5 and T8 lamps.

Construction

Heavy gauge roll formed steel housing with slots covered by an opaque overlay. Units are shipped with die cast aluminum joiners installed for structural continuity and for attaching other units for continual runs or end caps.

Electrical System

ETL listed. Suitable for damp locations. Damp location emergency pack must be specified separately. Ballasts are solid-state electronic. Ballasts and lamp holders are replaceable without removing from ceiling. Discrete voltage must be specified for emergency pack options when wired with flex.

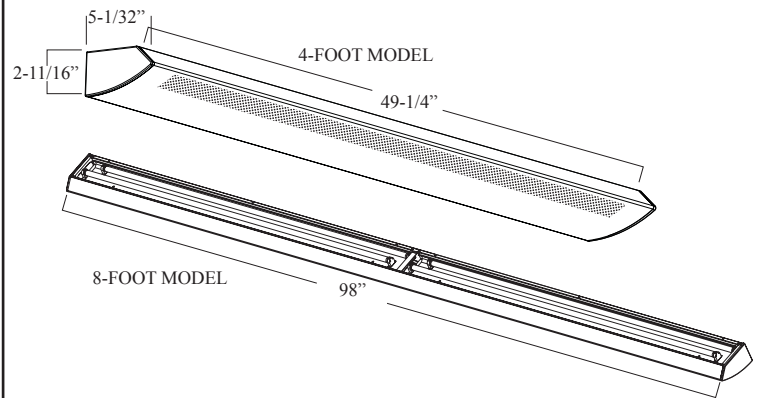
Finish

All reflective surfaces are finished with a high reflectance, lighting fixture white polyester powder.

PWL SERIES PERFORATED WALL LIGHT



DIMENSIONS



Please contact your Horizon Sales Representative for more information.
All dimensions subject to change without notice.

Ordering Nomenclature

Ex: (Perforated Wall Light, 2 Lamps, F32T8, White Fixture, Multi-Volt = PWL232WD)

| | | | | | | | |
|--|--|--|--|--|--|--|--|
| | | | | | | | |
|--|--|--|--|--|--|--|--|

| SERIES PWL | NUMBER OF LAMPS PER CROSS SECTION | WATTAGE/TYPE | LOUVER COLOR | FIXTURE COLOR | VOLTAGE | BALLAST FACTOR | OPTIONS |
|---|---|--------------------|---------------------|---|---|---------------------------------------|-------------------------------------|
| For tandem double-length unit, add suffix T Ex: PWLT | 2 (Tandem fixture bodies will have two cross sections per fixture doubling the length and number of lamps per fixture) | 28T5 - 28W T5, 48" | BLANK - Aluminum | BLANK - White T - Titanium B - Black | D - Multi-Volt 1 - 120V 2 - 277V 3 - 347V 4 - 480V *Multi-Volt is 120/277V | BLANK - Normal H - High L - Low | 10RS - ≤10% THD, Rapid Start |
| | | 32 - 32W T8, 48" | | | | | P - Program Start |
| | | 54 - 54W T5HO, 48" | | | | | 20 - ≤20% THD |
| | | | | | | | EB5 - 500 Lumen Emergency Ballast |
| | | | | | | | EB7 - 700 Lumen Emergency Ballast |
| | | | | | | | EB14 - 1400 Lumen Emergency Ballast |
| | | | | | | | EB30 - 3000 Lumen Emergency Ballast |
| | | | | | | | FBF - Fast-Blow Fuse |
| | | | | | | | SBF - Slow-Blow Fuse |
| | | | | | | | PWO - Palletized without Cartons |
| | | | | | | | CD - Continuous Dimming (T8) |
| | | | | | | | SD - Step Dimming (T8) |
| | | | | | | | WOC - 120/347 Volt Sensor |
| | | | | | | | WOC1 - 480 Volt Sensor |
| | | | | | | | WH34 - Wiring Harness 3-Wire 4-Foot |
| | | | | | | | WH44 - Wiring Harness 4-Wire 4-Foot |
| | | | | | | | WH54 - Wiring Harness 5-Wire 4-Foot |
| | | | | | | | WH38 - Wiring Harness 3-Wire 8-Foot |
| | | | | | | | WH48 - Wiring Harness 4-Wire 8-Foot |
| | | | | | | | WH58 - Wiring Harness 5-Wire 8-Foot |

Energy Saving Tip!
Our Occupancy Sensor option instantly turns lights on and off