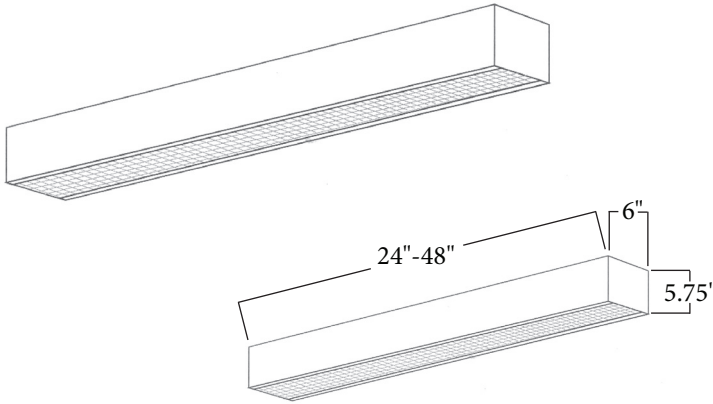


M6 SERIES

6x6 Fixture



ORDERING INFORMATION

Description	Part Number
2L 17W T8 120/277V	M6217 (A) 2D (B)
2L 24W T5HO 120/277V	M6224 (A) 2D (B)
2L 32W T8 120/277V	M6232 (A) 4D (B)
2L 54W T5HO 120/277V	M6254 (A) 4D (B)
3L 17W T8 120/277V	M6317 (A) 2D (B)
3L 24W T5HO 120/277V	M6324 (A) 2D (B)
3L 32W T8 120/277V	M6332 (A) 4D (B)
3L 54W T5HO 120/277V	M6354 (A) 4D (B)

Option Codes

(A) Mounting

G - Grid
F - Flange
S - Surface
W - Wall

(B) Options

Blank - None
10RS - ≤10% THD, Rapid Start
P - Program Start
20 - ≤20% THD
IO1 - Inboard/Outboard (1 Lamp-2 Lamp)

All part numbers shown here include a #12 Acrylic .100" lens.

DESIGN

The M6 Series 6x6 is a linear fluorescent light fixture designed for corridors, lobbies, and office areas. It can be installed individually or in continuous rows.

A versatile array of mounting options allows the fixture to be mounted in a grid ceiling, flanged for drywall, surface ceiling mounted, or even wall mounted.

ACCESSORIES



6' 16/3 CORD W/ 15A
NEMA PLUG
C1 (120V)
C2 (277V)
C4 (480V)



T8 EMERGENCY BALLAST
EB5 (500 LUMEN)
EB7 (700 LUMEN)
EB14 (1400 LUMEN)
EB30 (3000 LUMEN)



MOTION SENSOR
WOC (120/277V)
WOC1 (347/480V)

TECHNICAL INFORMATION

Housing is constructed of heavy gauge cold rolled steel. Die-formed flat steel door with mitered corners for a clean appearance. Wire way covers snap in for easy attachment and removal. ETL listed. Suitable for damp locations. Ballasts are solid state electronic. All reflective surfaces are finished with a high reflectance, lighting fixture white polyester powder.