



Catalog Number	
Project	Type

Features & Specifications

Application

This fixture is designed for industrial, institutional and commercial applications as a direct replacement for (HID) mercury or metal halide fixtures (50% Saving compared to 400W MH high bay fixtures). Perfect for warehouse, retail, or manufacturing applications

Features

Optimized for T8 or T5 lamp performance. Miro 4 reflector standard to achieve maximum light output. Can be suspended or surface mounted. Maintains 95% of initial lumens. Instant on/off allows for use of sensors and other controls. Superior color rendering enhances visual perception. Long lamp life reduces maintenance costs.

Construction

Housing constructed of structurally embossed, heavy gauge, cold rolled steel. Available as open optics or lensed with reinforced aluminum door, mitered corners. Available with wire guards for further protection. Ballasts are accessible by removal of socket-plate screws.

Electrical System

ETL listed. Suitable for damp locations. Damp location emergency pack must be specified separately. Ballasts are solid-state electronic. Ballasts and lamp holders are replaceable without removing from ceiling. Discrete voltage must be specified for emergency pack options when wired with flex.

Finish

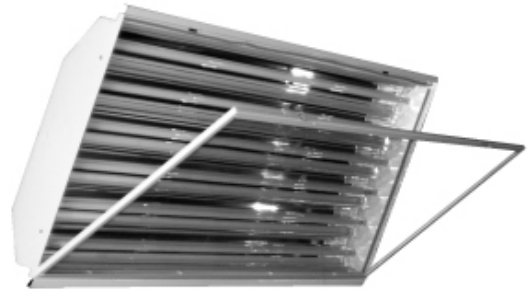
All reflective surfaces are finished with a high reflectance, lighting fixture white polyester powder.

*Comes standard w/ miro reflector
Available without reflector for cost savings

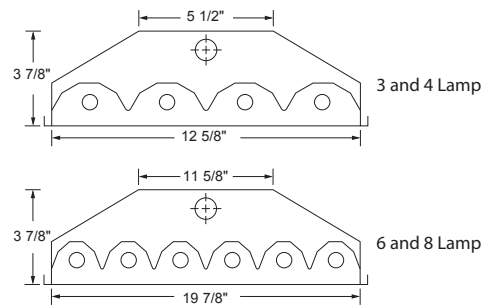


Please contact your Horizon Sales Representative for more information.
All dimensions subject to change without notice.

EHB SERIES ENCLOSED HIGH BAY



DIMENSIONS



Ordering Nomenclature

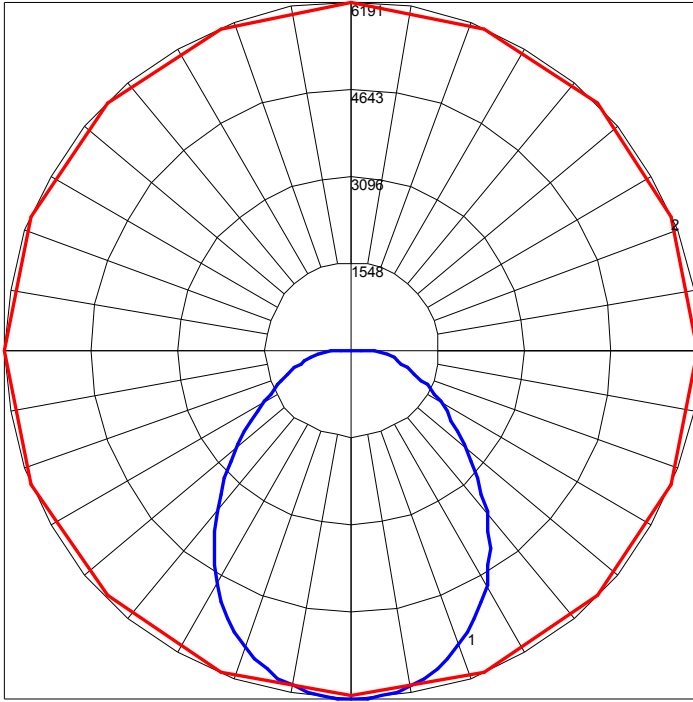
Ex: (Enclosed High Bay, 4 Lamps, 32W T8, #12 Acrylic Pattern, .100" thick lens, White Flush Door, Multi-Volt = EHB432D)

--	--	--	--	--	--	--	--

SERIES	NUMBER OF LAMPS	WATTAGE	DIFFUSER TYPE	REFLECTOR	DOOR FRAME	VOLTAGE	BALLAST FACTOR	OPTIONS
EHB	3	28T5 - 28W T5, 46" 28T8 - 28W T8, 48"	BLANK-#12 Acryl .100" thick	BLANK - Miro 4	BLANK- Flush Steel White	D - Multi -Volt	BLANK - Normal	10RS - ≤10% THD, Rapid Start P - Program Start
	4	30 - 30W T8, 46" 32 - 32W T8, 48"	NL - No Lens	2 - White	AN - Flush Alum Natural	1 - 120V 2 - 277V 3 - 347V 4 - 480V	H - High L - Low	20 - ≤20% THD EB5 - 500 Lumen T8 Emergency Ballast EB7 - 700 Lumen T8 Emergency Ballast EB14 - 1400 Lumen T8 Emergency Ballast EB30 - 3000 Lumen T8 Emergency Ballast EB5T5 - 500 Lumen T5 Emergency Ballast EB7T5 - 700 Lumen T5 Emergency Ballast EB14T5 - 1400 Lumen T5 Emergency Ballast
	6	48HO - 60W 800mA, 48" 54 - 54W T5HO, 46"	A - #12 Acrylic .125" thick		AB - Flush Alum Matte Black	*Multi-Volt is 120/277V		FBF - Fast-Blow Fuse SBF - Slow-Blow Fuse CW - Cold Weather Ballast
	8		B - #19 Acrylic .156" thick		AW- Flush Alum White			AC63 - 6', 3/8" dia., Armored Flex Cable SJ6 - 6', 3/8" dia., 16/3 SJ Cord SJ10 - 10', 3/8" dia., 16/3 SJ Cord SJ15 - 15', 3/8" dia., 16/3 SJ Cord
				C - #15 Acrylic .125" thick		RN - Regressed Alum Natural		PWO - Palletized without Cartons CD - Continuous Dimming (T8) SD - Step Dimming (T8) CD5 - Continuous Dimming (T5) SD5 - Step Dimming (T5)
			D - #20 Acrylic .140" thick		RB - Regressed Alum Matte Black			EHBSWA-120/347 Volt Sensor C1 - 6' Cord w/120V Nema Plug 16/3 15A C2 - 6' Cord w/277V Nema Plug 16/3 15A C3 - 10' Cord w/277V Nema Plug 16/3 20A C4 - 6' Cord w/480V Nema Plug 16/3 20A
			E - Holophane 8224 w/ overlay		RW- Regressed Alum White			EBHWG4 - Wire Guard 3 and 4 Lamp EBHWG6 - Wire Guard 6 and 8 Lamp
			F - Polycarbonate .125"-clear					
			G - Polycarbonate .156"-clear					
ADDITIONAL OPTIONS								
IO - Inboard/Outboard (2 lamp-2 lamp)		G10 - 10' Aircraft Cable w/ 12" Arms (2)						
IO2 - Inboard/Outboard (1 lamp-3 lamp)		G15 - 15' Aircraft Cable w/ 12" Arms (2)						
IO3 - Inboard/Outboard (3 lamp-3 lamp)		G20 - 20' Aircraft Cable w/ 12" Arms (2)						
10JC - (3)S Hooks and 10' Jack Chain Set								
THE - Tong Hanger, End Mount (2)								
THS - Tong Hanger, Side Mount (2)								

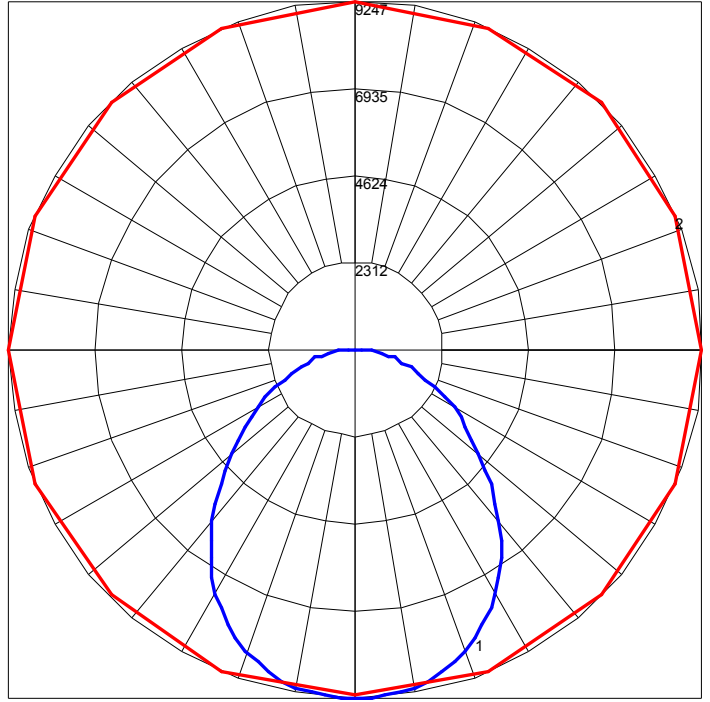
Energy Saving Tip!
Our Occupancy Sensor
option instantly turns
lights on and off

POLAR GRAPH



Maximum Candela = 6191 Located At Horizontal Angle = 22.5, Vertical Angle = 2.5
1 - Vertical Plane Through Horizontal Angles (22.5 - 202.5) (Through Max. Cd.)
2 - Horizontal Cone Through Vertical Angle (2.5) (Through Max. Cd.)

POLAR GRAPH



Maximum Candela = 9247 Located At Horizontal Angle = 22.5, Vertical Angle = 2.5
1 - Vertical Plane Through Horizontal Angles (22.5 - 202.5) (Through Max. Cd.)
2 - Horizontal Cone Through Vertical Angle (2.5) (Through Max. Cd.)