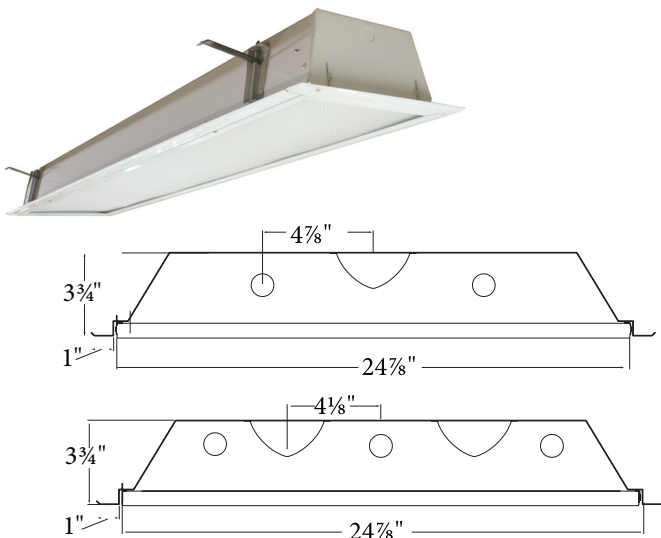


EF SERIES

Flanged Troffer



DESIGN

The EF Series Flanged Troffer was designed for recessed drywall ceiling mounting. It features a shallow profile for restricted plenum spaces. It was designed for both durability and economy. The EF Series is ideal for a variety of applications such as offices, schools, or retail applications.

ACCESSORIES



6' 16/3 CORD W/ 15A
NEMA PLUG
C1 (120V)
C2 (277V)
C4 (480V)



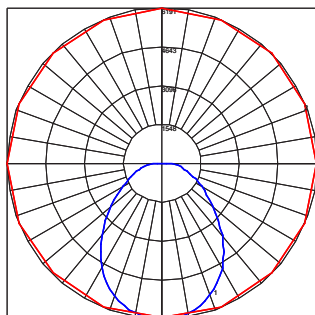
T8 EMERGENCY BALLAST
EB5 (500 LUMEN)
EB7 (700 LUMEN)
EB14 (1400 LUMEN)
EB30 (3000 LUMEN)



MOTION SENSOR
WOC (120/277V)
WOC1 (347/480V)

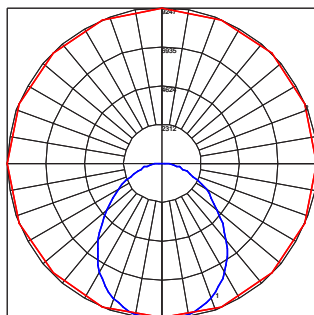
PHOTOMETRICS

IES INDOOR REPORT
PHOTOMETRIC FILENAME: THB632.IES
POLAR GRAPH



Maximum Candela = 6191 Located At Horizontal Angle = 22.5, Vertical Angle = 2.5
1 - Vertical Plane Through Horizontal Angles (22.5 - 202.5) (Through Max. Cd.)
2 - Horizontal Plane Through Vertical Angle (2.5) (Through Max. Cd.)

IES INDOOR REPORT
PHOTOMETRIC FILENAME: THB654.IES
POLAR GRAPH



Maximum Candela = 1047 Located At Horizontal Angle = 22.5, Vertical Angle = 2.5
1 - Vertical Plane Through Horizontal Angles (22.5 - 202.5) (Through Max. Cd.)
2 - Horizontal Plane Through Vertical Angle (2.5) (Through Max. Cd.)

1.800.225.0727

WWW.TECHLIGHTUSA.COM

All specifications are subject to change without notice. Please refer to www.techlightusa.com for the most current information.

ORDERING INFORMATION

Description	Part Number
1X4 2L 32W T8 120/277V	EF1232SWD (A)
2X2 4L 17W T8 120/277V	EF22417SWD (A)
2X2 2L 32W T8 U 120/277V	EF222U316SWD (A)
2X4 3L 28W T5 120/277V	EF23328T5SWD (A)
2X4 3L 32W T8 120/277V	EF2332SWD (A)
2X4 3L 54W T5HO 120/277V	EF2354SWD (A)
2X4 4L 28W T5 120/277V	EF2428T5SWD (A)
2X4 4L 32W T8 120/277V	EF2432SWD (A)
2X4 4L 54W T5HO 120/277V	EF2454SWD (A)

Option Codes

(A) Options

- Blank - None
- 10RS - ≤10% THD, Rapid Start
- P - Program Start
- 20 - ≤20% THD
- IC - Insulation Contact Rated
- IO - Inboard/Outboard (2 Lamp-2 Lamp)
- IO2 - Inboard/Outboard (1 Lamp-3 Lamp)

All part numbers shown here include a #12 Acrylic .100" lens.

TECHNICAL INFORMATION

Housing is constructed of structurally embossed, heavy gauge, cold rolled steel. Die-formed flat steel door with mitered corners for a clean appearance. Wire way covers snap in for easy attachment and removal. ETL listed. Suitable for damp locations. Ballasts are solid state electronic. All reflective surfaces are finished with a high reflectance, lighting fixture white polyester powder.