



Catalog Number	
Project	Type

Features & Specifications

Application

Wide base, perfect for remodels to cover existing holes or faded paint.

Features

Lift and shift refractor for ease of maintenance and re-lamping. Complies with federal energy efficiency standards. Wire way cover easily removed without tools. Surface mounting. Wall mount application possible.

Construction

Low glare, extruded acrylic refractor with a heavy gauge end plate with embossed light seal for dependable performance and great aesthetic appeal.

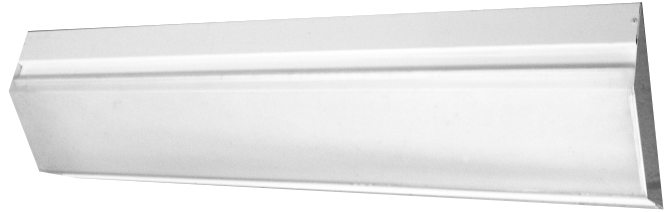
Electrical System

ETL listed. Suitable for damp locations. Damp location emergency pack must be specified separately. Ballasts are solid-state electronic. Ballasts and lamp holders are replaceable without removing from ceiling. Discrete voltage must be specified for emergency pack options when wired with flex.

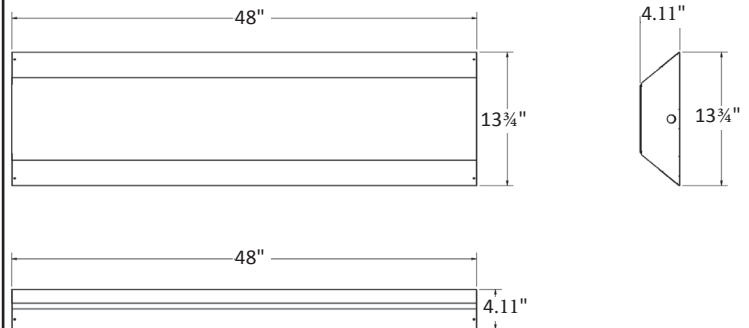
Finish

All reflective surfaces are finished with a high reflectance, lighting fixture white polyester powder.

BFW SERIES BIG FOOT WRAP



DIMENSIONS



Please contact your Horizon Sales Representative for more information.
All dimensions subject to change without notice.

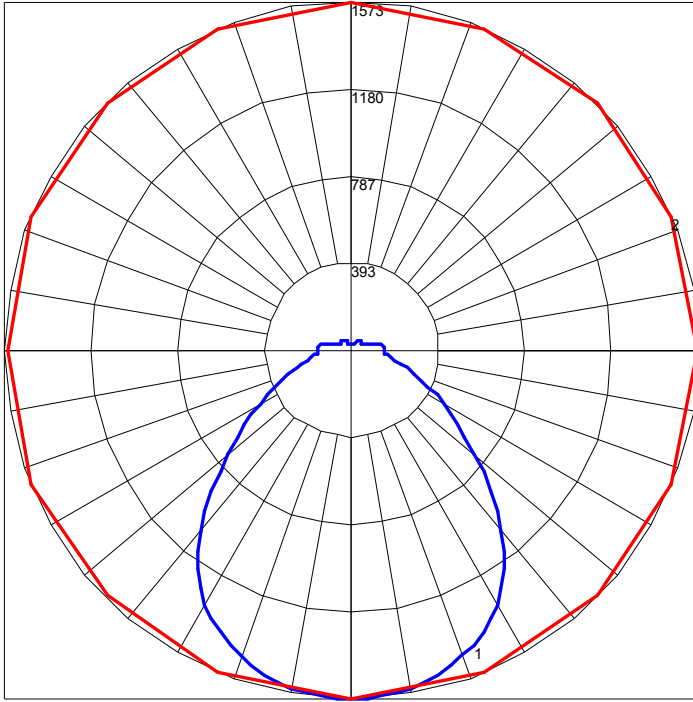
Ordering Nomenclature

Ex: (Big Foot Wrap, 4 Lamps, 32W T8, 3', Multi-Volt = BFW432D)

--	--	--	--	--	--

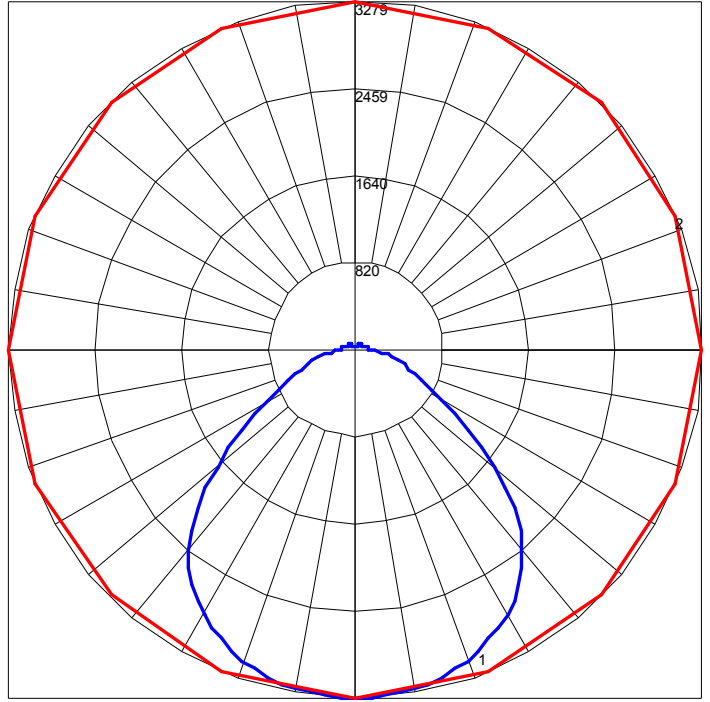
SERIES	NUMBER OF LAMPS	WATTAGE	VOLTAGE	BALLAST FACTOR	OPTIONS
BFW	2 3 4	14 - 14W T5, 22" 17 - 17W T8, 24" 28T5 - 28W T5, 46" 28T8 - 28W T8, 48" 32 - 32W T8, 48" 48HO - 60W 800mA, 48" 54 - 54W T5HO, 46"	D - Multi-Volt 1 - 120V 2 - 277V 3 - 347V 4 - 480V *Multi-Volt is 120/277V	BLANK - Normal H - High L - Low	10RS - ≤10% THD, Rapid Start P - Program Start 20 - ≤20% THD EB5 - 500 Lumen Emergency Ballast EB7 - 700 Lumen Emergency Ballast EB14 - 1400 Lumen Emergency Ballast EB30 - 3000 Lumen Emergency Ballast FBF - Fast-Blow Fuse SBF - Slow-Blow Fuse AF6 - 6', 3/8" dia., Armored Flex Cable SJ6 - 6', 3/8" dia., 16/3 SJ Cord SJ10 - 10', 3/8" dia., 16/3 SJ Cord PWO - Palletized without Cartons CD - Continuous Dimming (T8) SD - Step Dimming (T8) CD5 - Continuous Dimming (T5) SD5 - Step Dimming (T5) IO - Inboard/Outboard (2 lamp-2 lamp) IO2 - Inboard/Outboard (1 lamp-3 lamp)

POLAR GRAPH



Maximum Candela = 1573 Located At Horizontal Angle = 45, Vertical Angle = 2.5
1 - Vertical Plane Through Horizontal Angles (45 - 225) (Through Max. Cd.)
2 - Horizontal Cone Through Vertical Angle (2.5) (Through Max. Cd.)

POLAR GRAPH



Maximum Candela = 3279 Located At Horizontal Angle = 45, Vertical Angle = 2.5
1 - Vertical Plane Through Horizontal Angles (45 - 225) (Through Max. Cd.)
2 - Horizontal Cone Through Vertical Angle (2.5) (Through Max. Cd.)